

Classic Wall Lantern

Inspired by an American 18th century wall lantern, this popular fixture is commonly found in exterior projects to evoke classic elegance. The large hangs on a metal bracket away from the building.



Shown with a bronzed copper finish & lantern yoke bracket.

SPECIFICATIONS

- All sizes UL listed for Wet location
- 60-watt max** candelabra (E12) socket or 100-watt max (E26) socket
- 2" x 4" junction box

Medium

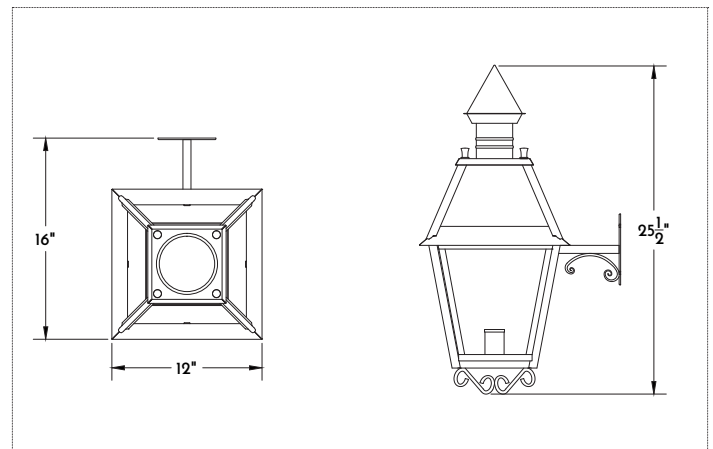
- 12" w x 16" d x 25.5" h
- One Lamp

Large

- 14" w x 18" d x 29" h
- One or Three Lamp

Materials

- Copper



Shown with medium dimensions

Finishes

- NACP, BZCP, OXCP, LDCCP

Other Options

- Plain, Seeded, Frosted, Opal or Restoration Glass
- Lantern Yoke or Wing Bracket
- Custom materials and finishes available upon request

FINISHES	COPPER		TIN	
	NACP	Natural**	AGTN	Aged
	BZCP	Bronzed**	NATN	Natural**
	OXCP	Oxidized	BRTN	Brushed**
	LDCCP	Leaded		

**Clear coat finish available

**Filament LED (2-6 watt) bulbs strongly recommended with optional wax sleeves

