



# Classic Post Lantern

Inspired by an American 18th century lantern, this fixture is commonly used on stone walls or turned wooded posts, accompanied by a 3" post collar.



Shown with a bronzed copper finish.

## SPECIFICATIONS

- All sizes UL listed for Wet location
- 60-watt max\*\* candelabra (E12) socket or 100-watt max (E26) socket

### Medium

- 12" w x 26" h
- One Lamp

### Large

- 14" w x 29.5" h
- One or Three Lamp

### Materials

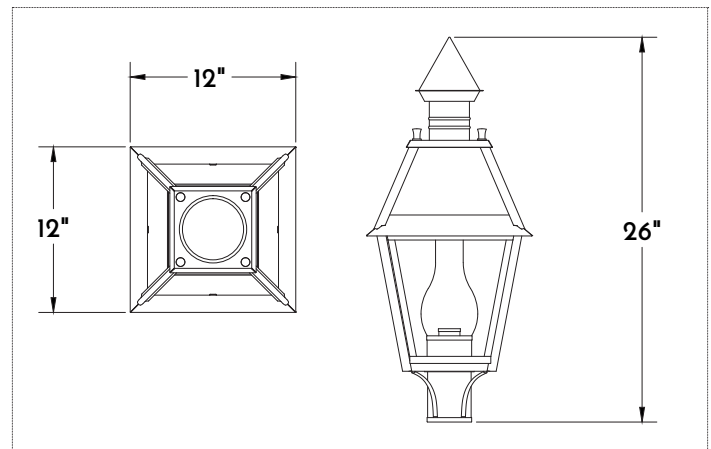
- Copper

### Finishes

- NACP, BZCP, OXCP, LDCP

### Other Options

- Plain, Seeded, Frosted, Opal or Restoration Glass
- Bronze or Iron Post Bracket
- Custom materials and finishes available upon request



Shown with medium dimensions

FINISHES	<b>COPPER</b>	<b>TIN</b>	
	NACP Natural**	AGTN Aged	**Clear coat finish available
	BZCP Bronzed**	NATN Natural**	
	OXCP Oxidized	BRTN Brushed**	
	LDCP Leaded		

\*\*Filament LED (2-6 watt) bulbs strongly recommended with optional wax sleeves

