



Paul Revere Hanging Lantern

This style lantern was used by Paul Revere to signal the departure of British troops from Boston to capture John Hancock and Samuel Adams. Found in Salem, MA, 1780 - 1830.



Shown with an aged tin finish.

SPECIFICATIONS

- UL listed for Dry location (may comply with Damp location when surface mounted to covered ceiling away from rain or sprinklers)
- Includes 5" canopy and 36" chain
- 4" octagonal junction box

One Size

- 5.5" w x 13" h
- One Lamp
- 60-watt max** candelabra (E12) socket or 100-watt max candelabra (E26) socket

Materials

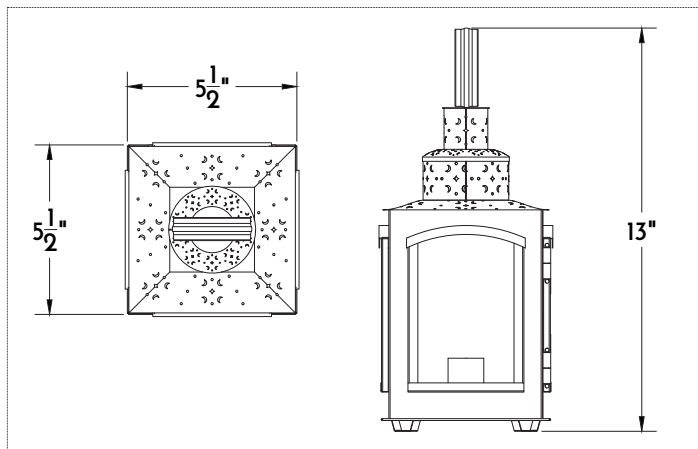
- Tin*

Finishes

- AGTN*

Other Options

- Plain, Seeded, Frosted, Opal or Restoration Glass
- Custom materials and finishes available upon request



FINISHES	COPPER		TIN	**Clear coat finish available		
	NACP	Natural**			AGTN	Aged
	BZCP	Bronzed**			NATN	Natural**
	OXCP	Oxidized			BRTN	Brushed**
	LDCP	Leaded				

*Interior use only

**Filament LED (2-6 watt) bulbs strongly recommended with optional wax sleeves

