



Late 18th Century Wall Lantern

Similar to a lantern found in the Henry Ford Collection, this type of lantern with cupolas could be seen at the Eagle Tavern in Historic Halifax and the Old Wash Place.



Shown with a bronzed copper finish & shepherd's crook bracket.

SPECIFICATIONS

- UL listed for Wet location
- 2" x 4" junction box

One Size

- 8" w x 10.5" d x 25" h
- One Lamp
- 60-watt max** candelabra (E12) socket or 100-watt max (E26) socket

Materials

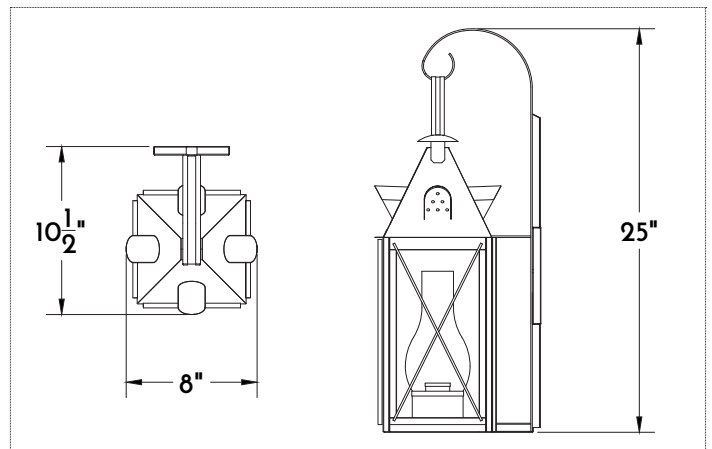
- Copper

Finishes

- NACP, BZCP, OXCP, LDCP

Other Options

- Plain, Seeded, Frosted, Opal or Restoration Glass
- Shepherd's Crook or Heavy Duty Gooseneck Bracket
- Custom materials and finishes available upon request



FINISHES	COPPER	TIN	
	NACP Natural**	AGTN Aged	**Clear coat finish available
	BZCP Bronzed**	NATN Natural**	
	OXCP Oxidized	BRTN Brushed**	
	LDCP Leaded		

Note: Wind Strap recommended for exterior applications

