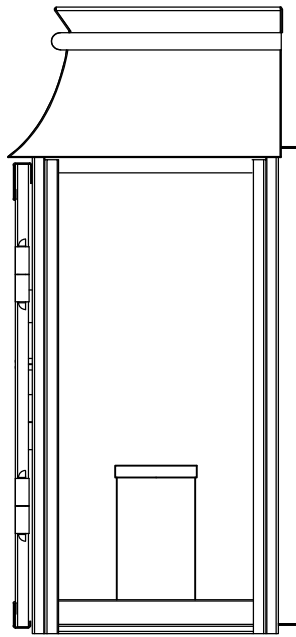
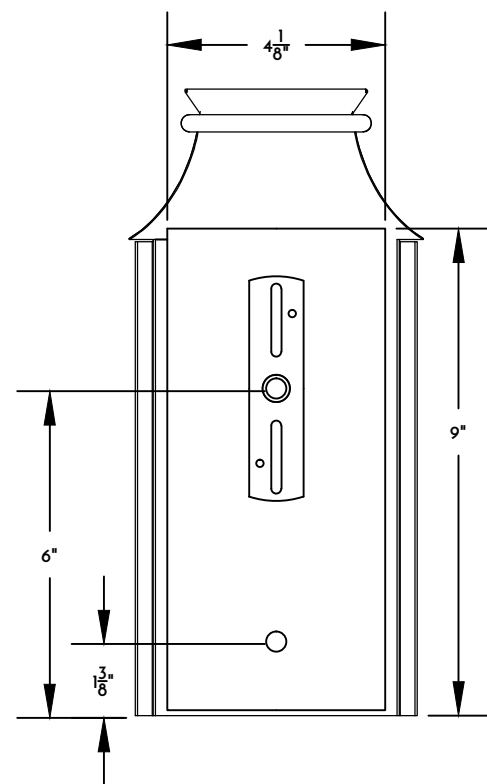


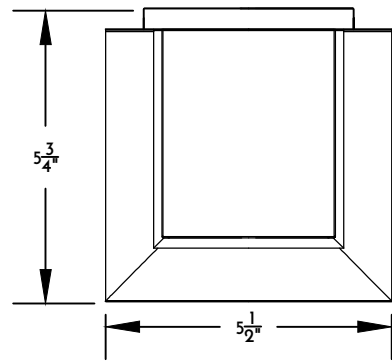
① WALL LANTERN FRONT ELE. Scale:



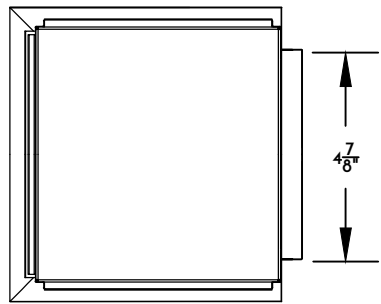
② WALL LANTERN SIDE ELE. Scale:



③ WALL LANTERN BACK ELE. Scale:



⑤ WALL LANTERN BOTTOM PLAN VIEW Scale:



④ WALL LANTERN TOP PLAN VIEW Scale:



NOTE: Fixtures are hand made one at a time. There may be slight variations in measurement and tolerances when comparing to actual Cad drawing.

CONFIDENTIALITY STATEMENT. The information contained in this Drawing, including attachments, is confidential information property of Heritage Metalworks Ltd. and Scofield lighting. The information is intended for use solely by the individual or entity named in the message and or email sent with. Any unauthorized review, printing, copying, reproduction or distribution of such information to other parties is prohibited. If you are not an intended recipient of this, please notify Heritage Metalworks Ltd. by reply e-mail and delete from your system.

	Scofield Lighting
	French Station Petite Lantern
	700W