

Thomaston Station Hanging Lantern

This 18th century inspired fixture is more stately version of the French Station Hanging Lantern, featuring a covetto.



Shown with a bronzed copper finish.

SPECIFICATIONS

- UL listed for Wet location
- Includes 5" canopy and 36" chain
- 4" octagonal junction box

Medium

- 10" w x 19.75" h
- One Lamp
- 100-watt max (E26) socket

Large

- 12" w x 23.75" h
- One Lamp or Three Lamp
- 60-watt max** candelabra (E12) socket or 100-watt max (E26) socket

Materials

- Copper

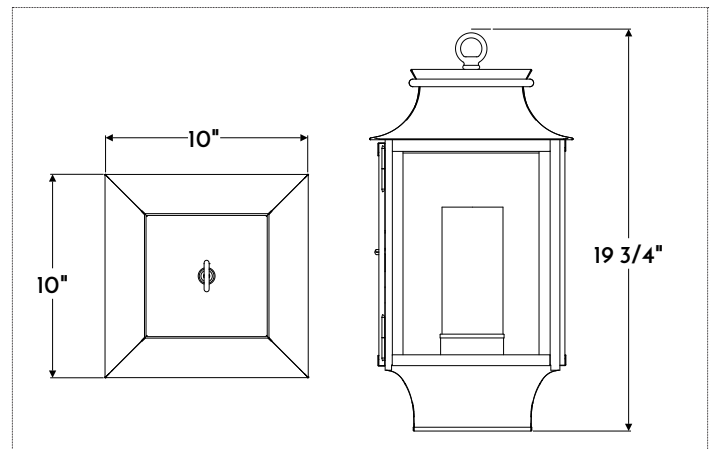
Finishes

- NACP, BZCP, OXCP, LDCP

Other Options

- Plain, Seeded, Frosted, Opal or Restoration Glass
- Custom materials and finishes available upon request

**Filament LED (2-6 watt) bulbs strongly recommended with optional wax sleeves



Shown with medium dimensions

FINISHES	COPPER	TIN	**Clear coat finish available
	NACP Natural**	AGTN Aged	
BZCP Bronzed**	NATN Natural**	BRTN Brushed**	
OXCP Oxidized			
LDCP Leaded			

