



Hexagon Pendant

Inspired by European 18th - 19th century pendants, this fixture is detailed with decorative punchwork.



Shown with an aged tin finish.

SPECIFICATIONS

- UL listed for Dry location (may comply with Damp location when surface mounted to covered ceiling away from rain or sprinklers)
- Includes 5" canopy and hollow hook - minimum 6"
- 4" octagonal junction box

One Size

- 15.75" w x 10" h
- One Lamp
- 100-watt max candelabra (E26) socket

Materials

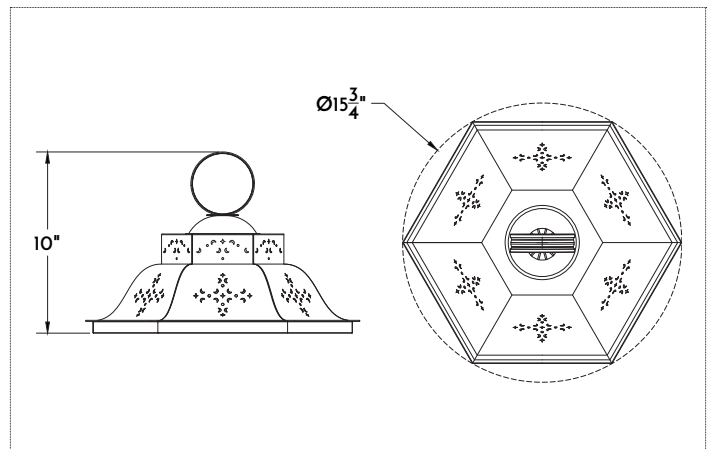
- Copper
- Tin*

Finishes

- NACP, BZCP, OXCP, LDCCP
- AGTN*

Other Options

- Solid hook - minimum 2" increments or 36" chain
- Custom materials and finishes available upon request



FINISHES	COPPER	TIN	**Clear coat finish available
	NACP Natural**	AGTN Aged	
BZCP Bronzed**		BRTN Brushed**	
OXCP Oxidized			
LDCCP Leaded			

*Interior use only, non-standard item - extended delivery may apply

