



Edison Style Pendant

With the introduction of the first light bulb in 1879, the world's fascination with the source of light took on new heights. Bulbs were meant to be seen and admired. The simplicity of our rustic interpretation of the Victorian fixture stays true to this fact. Edison type shade, c. 1880.



Shown with an aged tin finish & antiqued vanilla milkshake paint.

SPECIFICATIONS

- All sizes UL listed for Dry location (may comply with Damp location when surface mounted to covered ceiling away from rain or sprinklers)
- 100-watt max (E26) socket
- Includes 5" canopy and hollow hook - minimum 6"
- 4" octagonal junction box

Small

- 12" w x 9.5" h
- One Lamp

Medium

- 15.25" w x 12" h
- One Lamp

Large

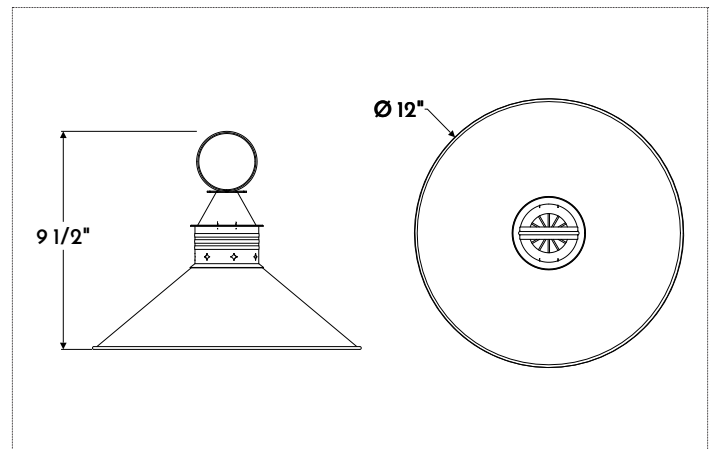
- 18.25" w x 13.75" h
- One Lamp

Materials

- Copper
- Tin*

Finishes

- NACP, BZCP, OXCP, LDCCP
- AGTN*



Shown with small dimensions

FINISHES	COPPER	TIN	
	NACP Natural**	AGTN Aged	**Clear coat finish available
	BZCP Bronzed**	NATN Natural**	
	OXCP Oxidized	BRTN Brushed**	
	LDCCP Leaded		

Other Options

- Solid hook - minimum 2" increments or 36" chain
- Custom materials and finishes available upon request

*Interior use only, non-standard item - extended delivery may apply

