



Federal Chandelier

This chandelier is a reproduction of a prized purchase at a Sotheby's auction from the late 1800's. A shape popular in the Federal period with graceful proportions and elegant simplicity, this fixture features a crown topped with stylized beech leaves and twisted gilded metal ribbon.



Shown with black ink paint & yellow gold leaf.

SPECIFICATIONS

- UL listed for Dry location (may comply with Damp location when surface mounted to covered ceiling away from rain or sprinklers)
- Includes 5" canopy and 36" chain
- 4" octagonal junction box

One Size

- 25.25" w x 17.25" h
- Eight Lamp
- 60-watt max** candelabra (E12) socket

Materials

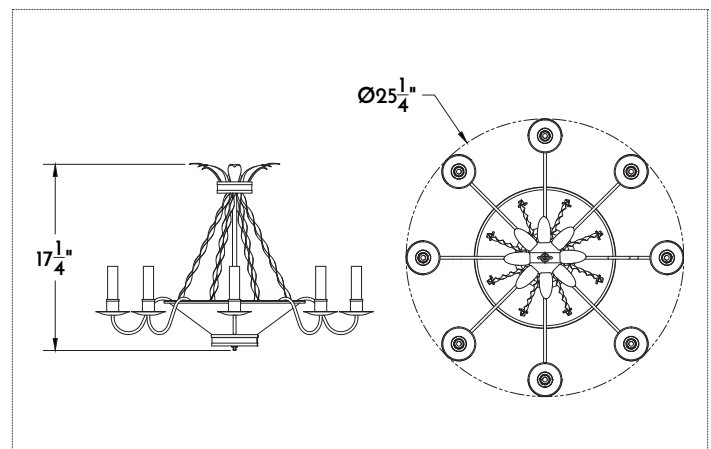
- Tin*

Finishes

- Hand-painted / Gilded*

Other Options

- Available with or without Yellow or White Gold Leaf
- Custom materials and finishes available upon request



FINISHES

COPPER
NACP Natural**
BZCP Bronzed**
OXCP Oxidized
LDCP Leaded

TIN
AGTN Aged
NATN Natural**
BRTN Brushed**

**Clear coat finish available

*Interior use only

**Filament LED (2-6 watt) bulbs strongly recommended with optional wax sleeves

