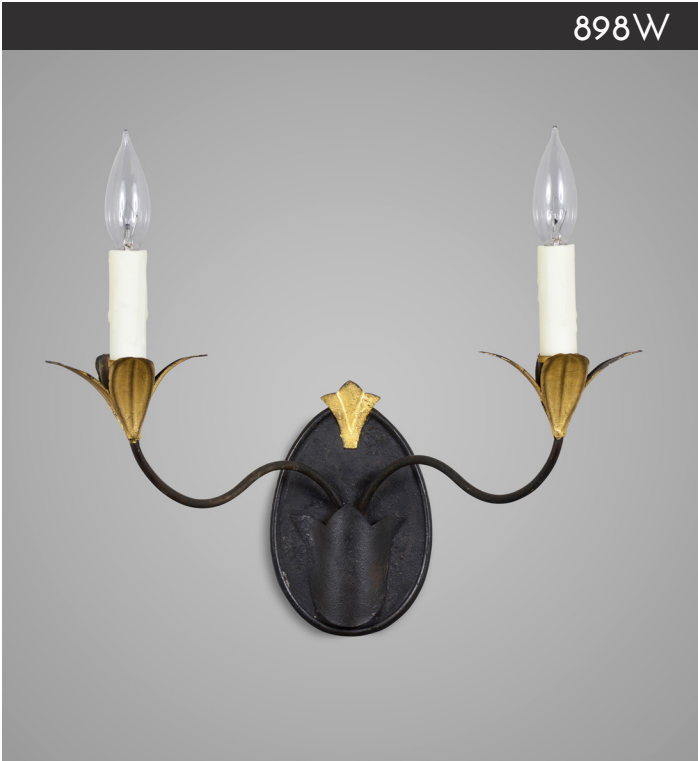




# Tulip Bobeche Double Arm Sconce

*This 18th century New England inspired double arm sconce is designed to coordinate with the Tulip Chandelier.*

*Available with Yellow or White Gold accents.*



Shown with an Aged Tin finish & Yellow Gold leaf.

## SPECIFICATIONS

- UL listed for Damp/Dry location

### Double Arm

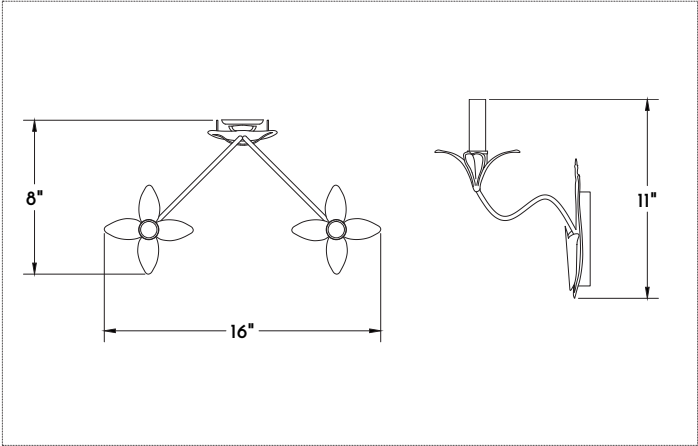
- 16" wide x 8" deep x 11" high
- Two Candelabra (E12), 60 watt max\*\*

### Materials

- Tin\*

### Finishes

- Aged Tin / Gilded\*



\*Interior use only.  
\*\*Filament LED (2-6 watt) bulbs strongly recommended with optional wax sleeves.

