



Three Sided Hanging Lantern

Inspired by a hanging lantern found in Massachusetts in the early 19th century, this fixture features decorative punchwork providing lighting with a sense of purpose.

Also available with Seeded, Frosted or Restoration glass.



Shown with an Aged Tin finish.

SPECIFICATIONS

- All sizes UL listed for Damp/Dry location;
- Standard, 100 watt max or Candelabra(s), 60 watt max**

Small

- 7.5" wide x 6.5" deep x 14.5" high
- One Candelabra (E12)

Large

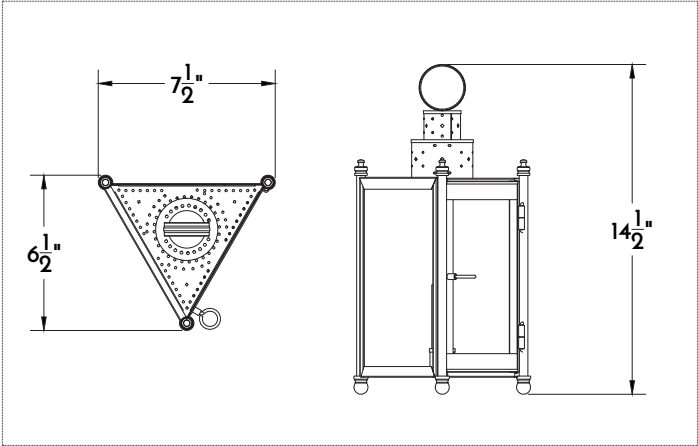
- 10.75" wide x 9.5" deep x 20.5" high
- One Standard (E26) or Three Candelabra (E12)

Materials

- Tin*

Finishes

- Aged Tin*



Shown with small dimensions.

*Interior use only.

**Filament LED (2-6 watt) bulbs strongly recommended with optional wax sleeves.

