



Liberty Tree Hanging Lantern

This style of lantern, with three tiers of decorated punchwork, has long been associated with the demonstrations against the Stamp Act of May 21, 1766, when it allegedly hung from the northwest bough of the Liberty Tree in Boston.

Also available with Seeded, Frosted or Restoration glass.



Shown with an Aged Tin finish.

SPECIFICATIONS

- All sizes UL listed for Damp/Dry location
- Standard, 100 watt max or Candelabras, 60 watt max**

Small

- 10" wide x 8.5" deep x 23" high
- 5" Candle Sleeves
- One Standard (E26) or Three Candelabra (E12)

Large

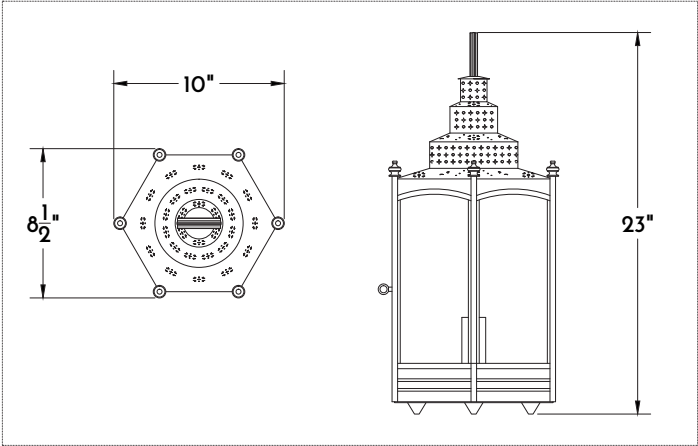
- 12.5" wide x 10.75" deep x 28.75" high
- 6" Candle Sleeves
- Three Candelabra (E12)

Materials

- Tin*

Finishes

- Aged Tin*



Shown with small dimensions.

*Interior use only.

**Filament LED (2-6 watt) bulbs strongly recommended with optional wax sleeves.

