



# Guilford Horn Hanging Lantern

*Inspired by a hanging lantern from Guilford, CT in the early 18th century, thin pieces of cow horn were originally used to block the wind from blowing out the candle, but were later replaced by mica. Today, the fixture ships with clear, slumped/bent glass unless mica is specified.*



Shown with a Bronzed Copper finish.

## SPECIFICATIONS

- UL listed for Damp/Dry and Wet location\*

### One Size

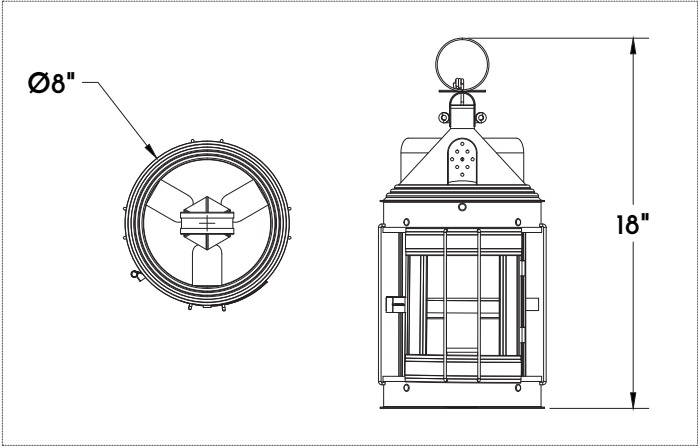
- 8" wide x 18" high
- One Standard (E26), 100 watt max or Three Candelabra (E12), 60 watt max\*\*

### Materials

- Copper

### Finishes

- Natural, Bronzed, Oxidized or Leaded Copper



\*If using mica, fixture can only be used in Damp/Dry environment.  
\*\*Filament LED (2-6 watt) bulbs strongly recommended with optional wax sleeves.

