



European Wall Lantern

Inspired by a six-sided European hanging lantern from the late 18th to early 19th century, this fixture is detailed with decorative punchwork, originally intended to vent the candle, highlighting the craftsmanship of the lantern.

Also available with Seeded, Frosted or Restoration glass and a Heavy Duty Gooseneck bracket.



730W

Shown with an Aged Tin finish on a Straight Arm bracket.

SPECIFICATIONS

- All sizes UL listed for Damp/Dry location
- Standard, 100 max or Candelabra(s), 60 watt max**

Small

- 8" wide x 12" deep x 16" high
- One Candelabra (E12) or One Standard (E26)

Large

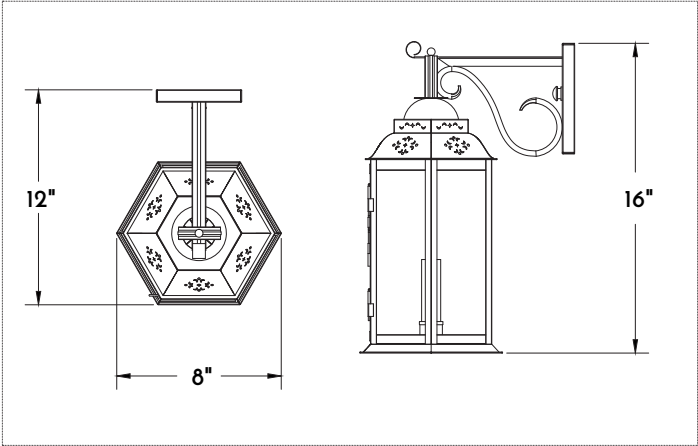
- 9.75" wide x 14" deep x 19.5" high
- One Standard (E26) or Three Candelabra (E12)

Materials

- Tin*

Finishes

- Aged Tin*



Shown with small dimensions.

*Interior use only.

**Filament LED (2-6 watt) bulbs strongly recommended with optional wax sleeves.

