



European Hanging Lantern

Inspired by a six-sided European hanging lantern from the late 18th to early 19th century, this fixture is detailed with decorative punchwork, originally intended to vent the candle, highlighting the craftsmanship of the lantern.

Also available with Seeded, Frosted or Restoration glass.



Shown with an Aged Tin finish.

SPECIFICATIONS

- All sizes UL listed for Damp/Dry location

Small

- 8" wide x 7" deep x 15" high
- One Candelabra (E12) or One Standard (E26), 60 watt max**

Large

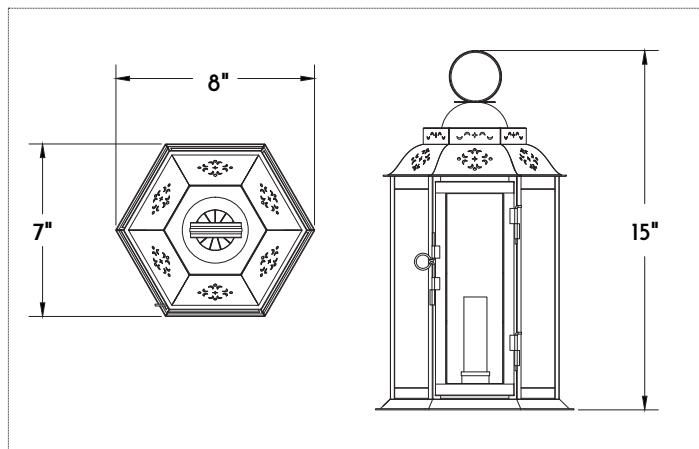
- 9.75" wide x 8.5" deep x 18.5" high
- One Standard (E26), 100 watt max or Three Candelabra (E12), 60 watt max**

Materials

- Tin*

Finishes

- Aged Tin*



Shown with small dimensions.

*Interior use only.

**Filament LED (2-6 watt) bulbs strongly recommended with optional wax sleeves.

