



# Salem Hanging Lantern

*Similar to a lantern found in the Henry Ford Collection, this type of lantern could be seen at the Eagle Tavern in Historic Halifax and the Old Wash Place c. 1780 - 1830.*

*Also available with Seeded, Frosted or Restoration glass.*



Shown with a Bronzed Copper finish.

## SPECIFICATIONS

- UL listed for Damp/Dry or Wet location

### One Size

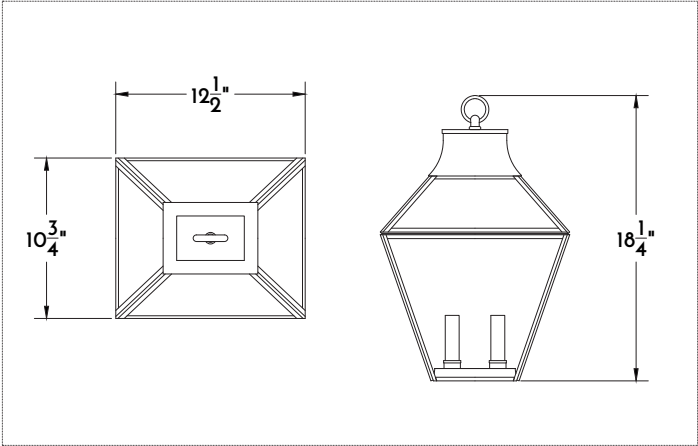
- 12.5" wide x 10.75" deep x 18.25" high
- Two Candelabra (E12), 60 watt max\*\*

### Materials

- Copper

### Finishes

- Natural, Bronzed or Leaded Copper



\*\*Filament LED (2-6 watt) bulbs strongly recommended with optional wax sleeves.

