



New England Onion Post Lantern

Originally fueled by whale oil, this type of lantern was frequently associated with maritime use. Featuring smooth or melon hand-blown glass. Inspired by a hanging lantern from New England, c. 1830. Standard with a 3" post collar.

Optional Cast Bronze or Black Painted Steel post bracket.



723P

Shown with a Bronzed Copper finish & a Cast Bronze post bracket.

SPECIFICATIONS

- All sizes UL listed for Damp/Dry or Wet location;
- One Standard (E26), 100 watt max or One Candelabra (E12), 60 watt max**

Small

- 11" wide x 11" deep x 17.5" high including 3" collar

Large

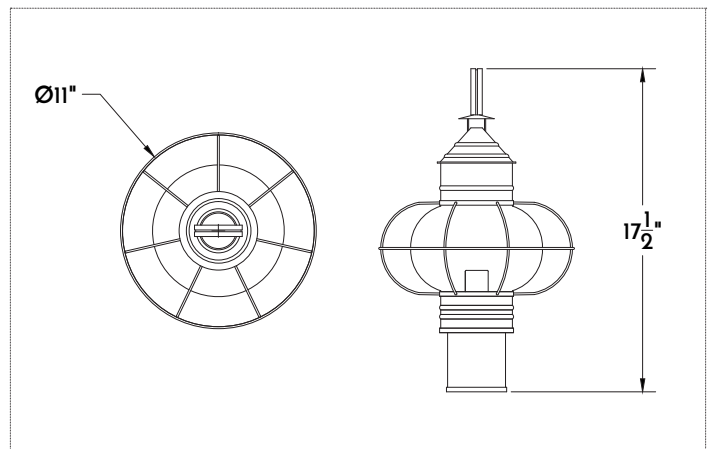
- 13.75" wide x 13.75" deep x 21.5" high including 3" collar

Materials

- Copper

Finishes

- Natural, Bronzed, Oxidized or Leaded Copper



Shown with small dimensions.

**Filament LED (2-6 watt) bulbs strongly recommended with optional wax sleeves.

