



New England Onion Hanging Lantern

Originally fueled by whale oil, this type of lantern was frequently associated with maritime use. Featuring smooth or melon hand-blown glass. Inspired by a hanging lantern from New England, c. 1830.



723C

Shown with a Bronzed Copper finish.

SPECIFICATIONS

- All sizes UL listed for Damp/Dry or Wet location;
- One Standard (E26), 100 watt max

Small

- 11" wide x 11" deep x 14.5" high

Large

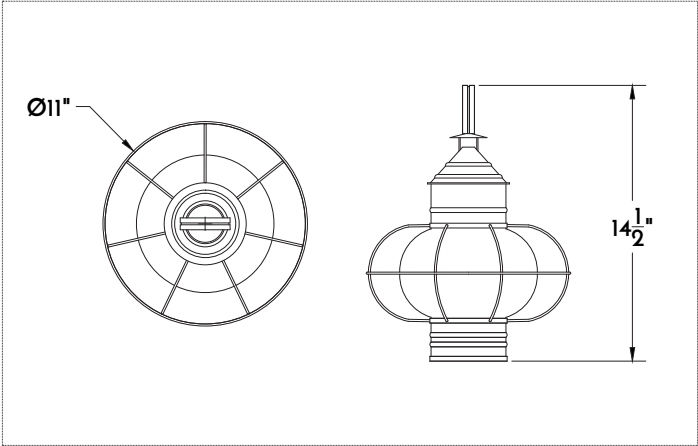
- 13.75" wide x 13.75" deep x 18.5" high

Materials

- Copper

Finishes

- Natural, Bronzed, Oxidized or Leaded Copper



Shown with small dimensions.

