



# English Gas Hanging Lantern

After the development of gas lighting in England, governments were required to light the streets. Inspired by an early 19th century hanging lantern found in England.

Also available with Seeded, Frosted or Restoration glass.



Shown with a Bronzed Copper finish & Cluster.

## SPECIFICATIONS

- All sizes UL listed for Damp/Dry and Wet location;
- Standard, 100 watt max or Candelabra(s), 60 watt max\*\*

### Small

- 13.5" wide x 21" high
- One Standard (E26) or One Candelabra (E12)

### Medium

- 16.5" wide x 25.75" high
- Three Candelabra (E12) Cluster\*\*

### Large

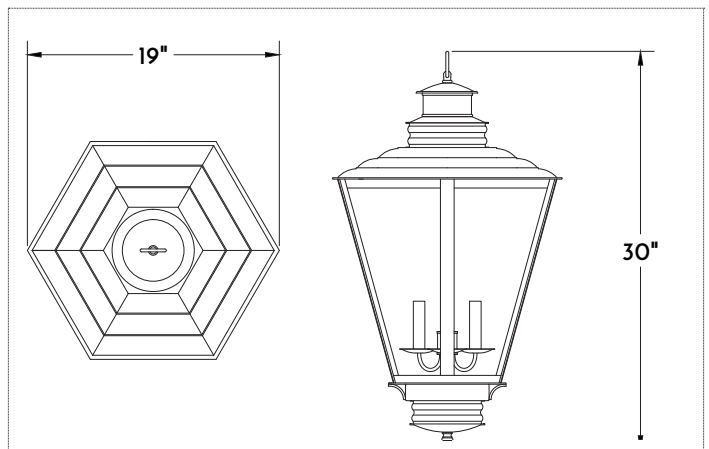
- 19" wide x 30" high
- Three Candelabra (E12) Cluster\*\*

### Materials

- Copper
- Tin\*

### Finishes

- Natural, Bronzed or Oxidized Copper
- Aged Tin\*



Shown with large dimensions.

\*Interior use only.

\*\*Filament LED (2-6 watt) bulbs strongly recommended with optional wax sleeves.

