



Boston Post Lantern

Boston street lighting typical to late 18th to early 19th century. Standard with a cradle mount and 3" post collar.

Also available with Seeded, Frosted or Restoration glass. Optional Cast Bronze or Black Painted Steel post bracket.



Shown with a Bronzed Copper finish & a Cast Bronze post bracket.

SPECIFICATIONS

- All sizes UL listed for Damp/Dry and Wet location;
- Standard, 100 watt max or Candelabra(s), 60 watt max**

Small

- 12" wide x 12" deep x 32" high including 5" bracket
- One Standard (E26) or One Candelabra (E12)

Medium

- 14" wide x 14" deep x 37.5" high including 5" bracket
- One Standard (E26) or Three Candelabra (E12) Cluster**

Large

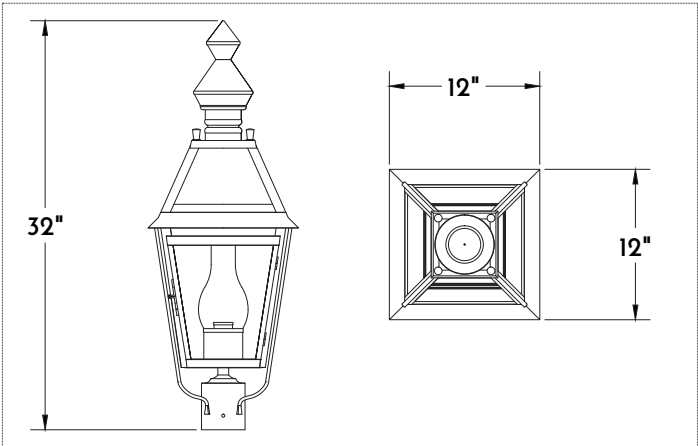
- 16" wide x 16" deep x 43.5" high including 5" bracket
- One Standard (E26) or Three Candelabra (E12) Cluster**

Materials

- Copper

Finishes

- Natural, Bronzed or Oxidized Copper



Shown with small dimensions.

**Filament LED (2-6 watt) bulbs strongly recommended with optional wax sleeves.

