



Philadelphia Wall Lantern

Ben Franklin's experience working with his father as a child inspired him to invent a two-wick tube, increasing the power of lantern light & leading to the use of street lanterns to light Philadelphia.

Also available with Seeded, Frosted or Restoration glass. Heavy Duty Gooseneck or Wing bracket available in 34" w (Md) and 45" (Lg).



Shown with a Bronzed Copper finish on a Lantern Yoke.

SPECIFICATIONS

- All sizes UL listed for Damp/Dry and Wet location;
- Standard, 100 watt max or Candelabra(s), 60 watt max**

Small

- 12" wide x 16" deep x 21" high
- One Standard (E26) or One Candelabra (E12)

Medium

- 14" wide x 18" deep x 24" high
- One Standard (E26) or Three Candelabra (E12) Cluster**

Large

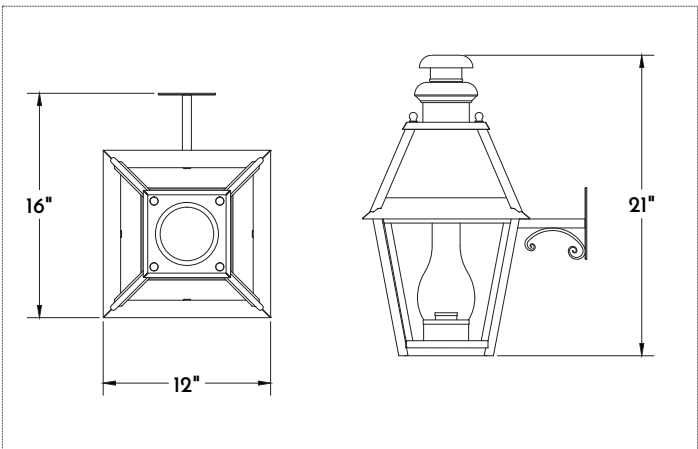
- 16" wide x 20" deep x 29" high
- One Standard (E26) or Three Candelabra (E12) Cluster**

Materials

- Copper

Finishes

- Natural, Bronzed, Oxidized or Leaded Copper



Shown with small dimensions.

**Filament LED (2-6 watt) bulbs strongly recommended with optional wax sleeves.

