



Philadelphia Post Lantern

Ben Franklin's experience working with his father as a child inspired him to invent a two-wick tube, increasing the power of lantern light & leading to the use of street lanterns to light Philadelphia. Standard with a 3" post collar.

Also available with Seeded, Frosted or Restoration glass. Optional Cast Bronze or Black Painted Steel post bracket.



713P

Shown with a Bronzed Copper finish & a Cast Bronze post bracket.

SPECIFICATIONS

- All sizes UL listed for Damp/Dry and Wet location;
- Standard, 100 watt max or Candelabra(s), 60 watt max**

Small

- 12" wide x 12" deep x 24" high including 3" base
- One Standard (E26) or One Candelabra (E12)

Medium

- 14" wide x 14" deep x 27" high including 3" base
- One Standard (E26) or Three Candelabra (E12) Cluster**

Large

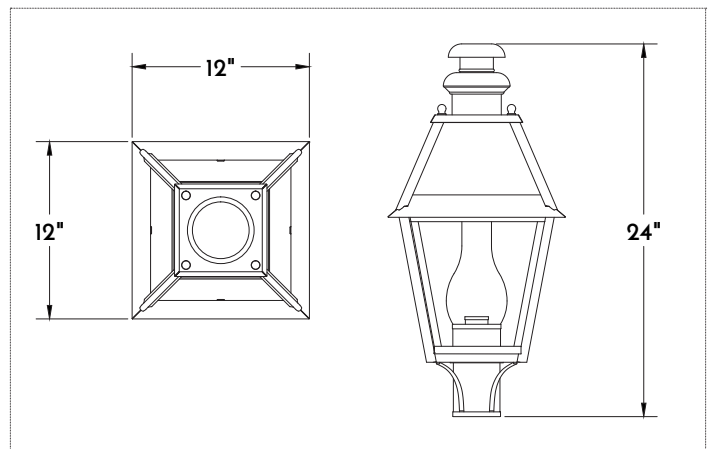
- 16" wide x 16" deep x 32" high including 3" base
- One Standard (E26) or Three Candelabra (E12) Cluster**

Materials

- Copper

Finishes

- Natural, Bronzed, Oxidized or Leaded Copper



Shown with small dimensions.

**Filament LED (2-6 watt) bulbs strongly recommended with optional wax sleeves.

