



Classic Post Lantern

Inspired by an American 18th century wall lantern, this fixture can be used on stone walls, turned wooded posts and wall mounts. Standard with a 3" post collar.

Also available with Seeded, Frosted or Restoration glass. Optional Cast Bronze or Black Painted Steel post bracket.



712P

Shown with a Bronzed Copper finish & a Cast Bronze post bracket.

SPECIFICATIONS

- All sizes UL listed for Damp/Dry and Wet location;
- Standard, 100 watt max or Candelabra(s), 60 watt max**

Medium

- 12" wide x 12" deep x 26" high
- One Standard (E26) or One Candelabra (E12)

Large

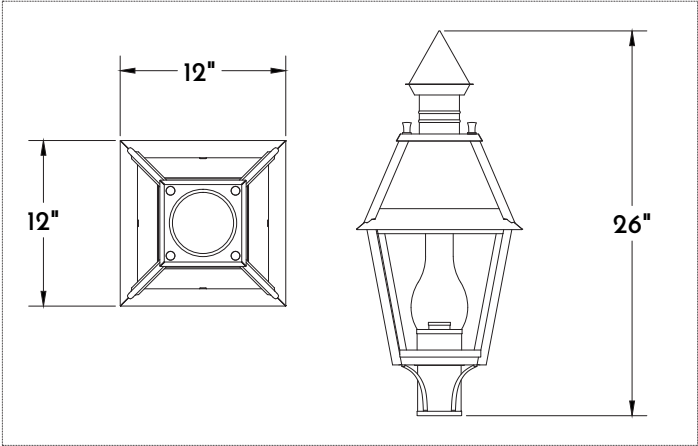
- 14" wide x 14" deep x 29.5" high
- One Standard (E26) or Three Candelabra (E12) Cluster**

Materials

- Copper

Finishes

- Natural, Bronzed or Oxidized Copper



Shown with medium dimensions.

**Filament LED (2-6 watt) bulbs strongly recommended with optional wax sleeves.

