



Paul Revere Hanging Lantern

This style of lantern was used by Paul Revere to signal the departure of 800 British troops from Boston to capture John Hancock and Samuel Adams. Found in Salem, MA, 1780 - 1830.

Also available with Seeded, Frosted or Restoration glass.



708C

Shown with an Aged Tin finish.

SPECIFICATIONS

- UL listed for Damp/Dry location

One Size

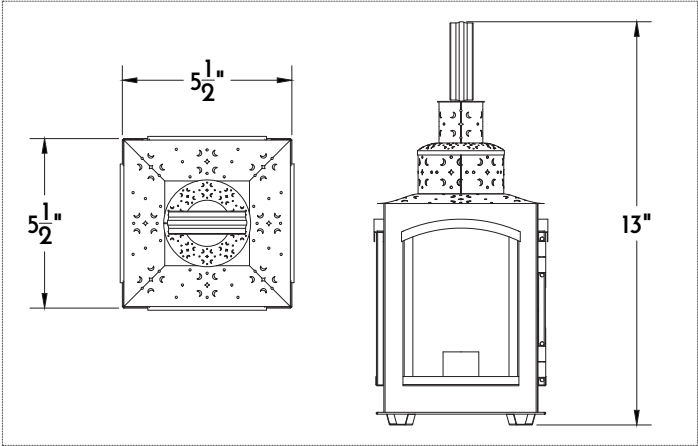
- 5.5" wide x 5.5" deep x 13" high
- One Candelabra (E12), 60 watt max** or One Standard (E26), 100 watt max

Materials

- Tin*

Finishes

- Aged Tin*



*Interior use only.

**Filament LED (2-6 watt) bulbs strongly recommended with optional wax sleeves.

