



# New England Barn Wall Lantern

*This 18th century pattern was drawn at Historic Deerfield, MA, when Richard Scofield received license to reproduce museum pieces.*

*Also available with Antiqued mirror or Pewter reflector and Seeded, Frosted or Restoration glass.*



Shown with a Bronzed Copper finish & mirror.

## SPECIFICATIONS

- All sizes UL listed for Damp/Dry or Wet location
- Standard, 100 watt max or Candelabra(s), 60 watt max\*\*

### Small

- 6.25" wide x 5.5" deep x 12" high
- One Standard (E26) or One Candelabra (E12)

### Medium

- 8.75" wide x 7.5" deep x 17.25" high
- One Standard (E26) or Two Candelabra (E12)

### Large

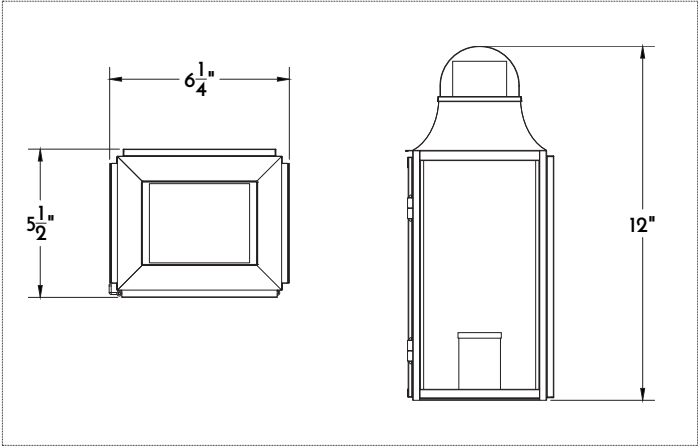
- 11.25" wide x 9" deep x 20.25" high
- One Standard (E26) or Two Candelabra (E12)

### Materials

- Copper

### Finishes

- Natural, Bronzed, Oxidized or Leaded Copper



Shown with small dimensions.

Note: Small size cannot accommodate hurricane chimney.  
 \*\*Filament LED (2-6 watt) bulbs strongly recommended with optional wax sleeves.

