



Cross Beam Chandelier

Originally made of wrought iron, this simple chandelier dates back to the 17th century, ideal for low ceilings to increase clearance. There's no other authentic period reproduction that can solve this problem.

Hook available in 2" increments, min 6".
Also available with chain.



Shown with an Aged Tin finish.

SPECIFICATIONS

- All sizes UL listed for Damp/Dry location;
- Candelabra (E12), 60 watt max**

Small

- 19" wide x 6" high
- Five Arms
- 2.5" Candle Sleeves

Large

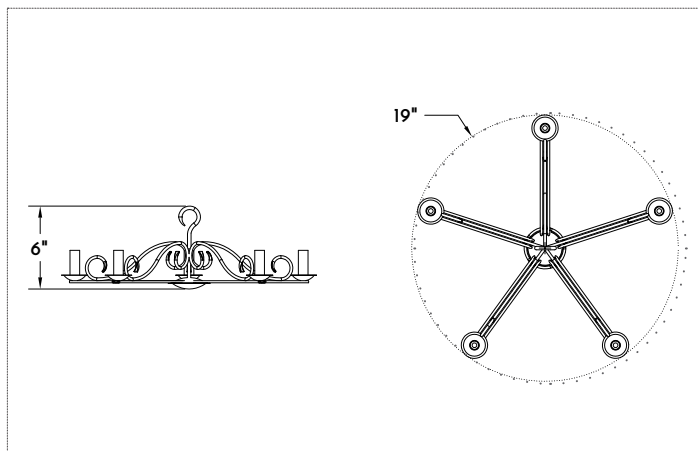
- 24" wide x 7" high
- Six Arms
- 2.5" Candle Sleeves

Materials

- Tin*

Finishes

- Aged Tin*



Shown with small dimensions.

*Interior use only.

**Filament LED (2-6 watt) bulbs strongly recommended with optional wax sleeves.

